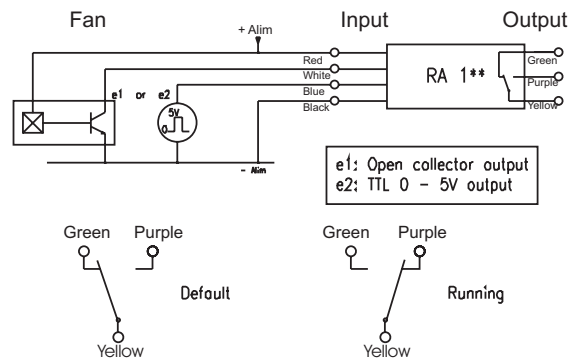
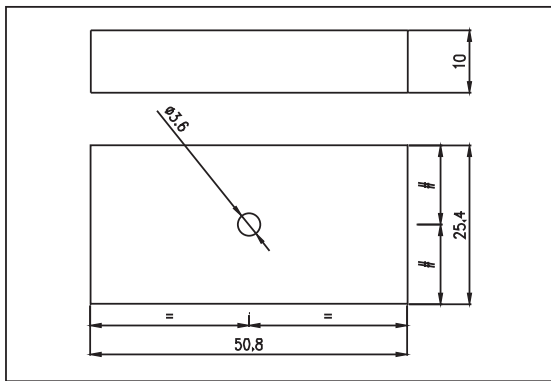


### RA104 - RA105

Desengaging frequency: RA104 - 25 Hz  
 Desengaging frequency: RA105 - 15 Hz

Supply: 24 V DC - 19 V to 26 V  
 Current: 4 mA for "Running" - 15 mA for "Default"  
 Operating temperature: 0°C to +70°C

Contact:  
 Switch off power: 3W  
 Max. voltage: 100 V  
 Max. current: 0,25 A  
 Contact resistance: 150mΩ



#### WIRES OUTPUT

